



MASTERPIECES
OF
HIGH FIDELITY
EQUIPMENT
BY

ARKAY

Foremost Manufacturer of
High Fidelity Kits in the World





MODEL SA-5

Price SA-5	\$32.95
Price SA-5 (Wired)	\$41.95
Price SA-5Y	\$39.95

ARKAY Model SA-5 is designed to convert almost any monaural phonograph to stereo. This kit offers you top fidelity, and is an extremely economical conversion unit. You can now enjoy stereo from your present equipment with the simple addition of our Model SA-5, stereo conversion unit.

Model SA-5 consists of a high fidelity 4 tube push-pull amplifier housed in an attractive cabinet and containing an 8 inch co-axial speaker. It contains a separate bass, treble and volume control. (Refer to Model FL-5 for electrical specifications.)

High Fidelity ceramic turnover stereo cartridge, mounting accessories, phono jack and 15 feet of extension cable included with *SA-5Y Kit only.

This is available on or about February 1, 1959.

Complete specifications are available by writing for specification sheet

Note: Model SA-5 does not include stereo cartridge. See Model SA-5Y.

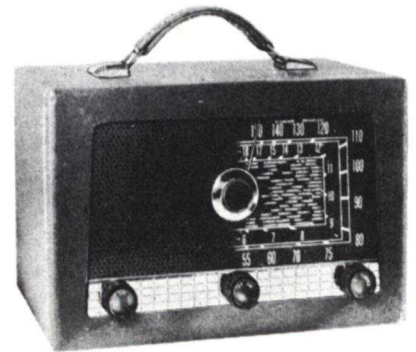
ARKAY KIT *2-Band. 3-Way Portable Receiver*

Features...

**MODEL
2x4**

- 2-band operation
- AC/DC-battery power supply
- Portable receiver
- Extremely light in weight

**Price
\$26.95**



Arkay Kit Model 2X4 is a portable receiver kit ideally suited for Radio-Amateurs, Campers, and boat-owners alike. It is housed in an unusually attractive leatherette cabinet with a semi-airplane dial covering half of the cabinet. It is designed for those who enjoy listening to short wave reception while out-of-doors. It has many advanced features and quality has not been sacrificed for price in this receiver.

DESIGN

This receiver employs high gain miniature tubes and iron core I.F. Transformers for extreme sensitivity and gain. Dial is calibrated in kilocycles for the broadcast band and megacycles for the shortwave band. A selection of different countries, transmitting on shortwave are indicated on the dial. This kit utilizes the low drain series of tubes for economical battery operation. The batteries are self-contained in the cabinet and the kit is extremely light in weight for its class. Utilizes a 1R5 for the converter stage; a 1U4 high gain I.F. Amplifier, a 1U5 Detector and first audio and 3V4 as a Power Amplifier. It operates from 110 volts AC/DC or self-contained batteries. A High Efficiency Selenium Rectifier is used to provide power to the circuit when operating this kit on electric power.

Kit complete with Technical Manual; Schematic and Pictorial diagrams. Easy to assemble.

Prices West of the Mississippi. 5% higher.

SPECIFICATIONS

POWER INPUT	110 volts AC/DC or self contained batteries
TUNING RANGE	550-1600 kc; 6-18 mc
SHIPPING WEIGHT	10 lbs.
TUBE COMPLEMENT	1R5 converter, 1U4 I.F. amp., 1U5 detector, 3V4 power amplifier
DIMENSIONS	10½ x 7 x 5½
RECTIFIER	selenium
BATTERIES	1 each Eveready No. 467 and No. 717

MODEL S-5E



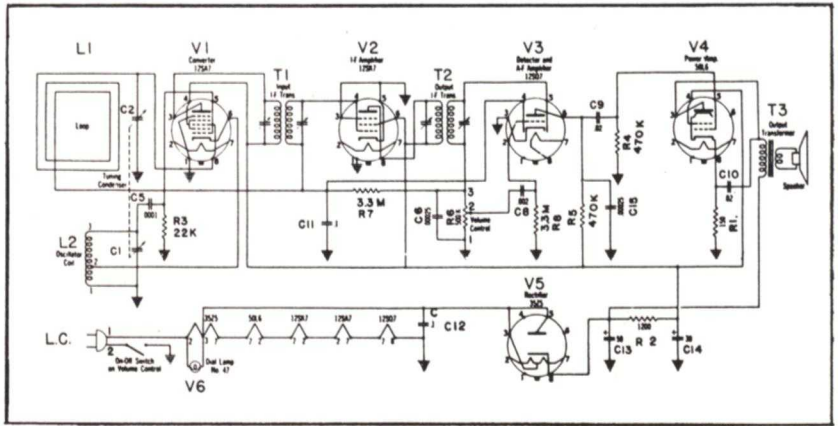
Price
\$17.10

Features...

- A complete radio education in one project.
- Easy tuned airplane dial.
- Beautiful bakelite cabinet.
- High efficiency loop antenna.
- High gain I.F. transformers, resulting in excellent performance.

SPECIFICATIONS S5E

FREQUENCY RANGE . . . 550 kc to 1500 kc
 POWER SUPPLY 110 volts AC/DC
 TUBE COMPLEMENT . . . 12SA7 Mixer oscillator
 12SK7 I.F. Amplifier
 12SQ7 Detector 1st Audio
 50L6 Beam power supply
 35Z5 Rectifier
 CIRCUIT Superheterodyne
 ANTENNA Built-in loop antenna
 CABINET SIZE 9" x 5" x 5"
 CABINET COLOR Mottled Brown bakelite
 SHIPPING WEIGHT . . . 5 lbs.



DESIGN

ARKAY Kit Model S5E has been especially designed for the beginner and is one of our most popular models and if you have ever been urged to build your own radio receiver this kit deserves your attention. It is a completely self-contained radio kit housed in an attractive cabinet and one which you will be proud of for many years.

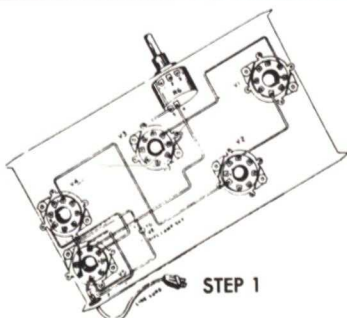
MANUAL

A dynamic and sensational presentation of a radio receiver kit pictorial diagram in color. Simple and clearly written. This new technique transforms an untrained individual into a full fledged radio builder. Composed of three easy to follow steps, each of which in itself performs a complete circuit with a definite function. The new 3-D Eye-o-Gram changes the once complicated schematic into a single easy to follow 3 part radio recipe. The ingredients consist of 3 individual translucent sheets each in a different color. Each step printed on this translucent paper. Each step in turn is placed over the master chassis photograph and step by step is followed to completion. Also included with the new 3-D Eye-o-Gram is a complete instruction book which contains 16 fully illustrated pages—voltage and resistance charts—photographs of the set before and after wiring—review of radio receiver theory—superheterodyne receiver principles—step by step construction—schematic plus photograph of each part for proper identification—complete parts list for checking—complete detail instructions from unpacking your kit to alignment without signal generator—standard color code for resistors and capacitors. There is no thrill that can match the first sound coming from a professional radio that you have built yourself. Millions of people throughout the world from youngsters to grandpa's age have built ARKAY receivers. You can't imagine how simple it really is until you have tried it and satisfied yourself.

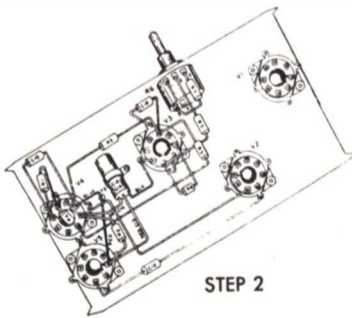
CABINET

Model S5E comes complete with a plastic cabinet mottled brown bakelite, together with matching knobs and a cellulose acetate window. A cabinet back is also furnished and the entire package

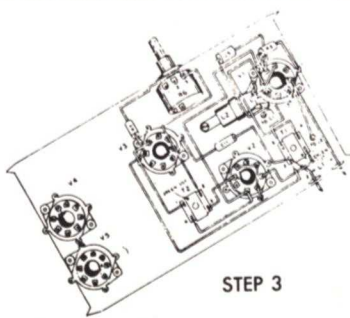
Prices West of the Mississippi. 5% higher.



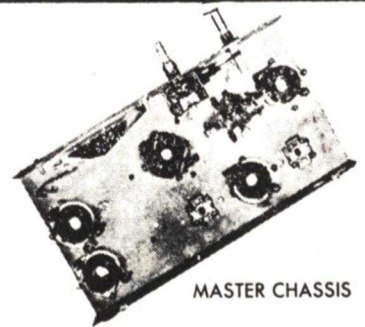
STEP 1



STEP 2



STEP 3



MASTER CHASSIS

PRINTED ON CLEAR TRANSPARENT PAPER ACTUAL SIZE OF THE CHASSIS

ARKAY KIT *Radio Receiver*

MODEL Q



Features...

- Precision Engineering
- Beauty of cabinet
- Alnico V Speaker
- Extra sensitive superheterodyne receiver circuit

DESIGN

ARKAY kit model Q is a radio kit designed for those who appreciate an ultra smart, conservative cabinet design incorporating the new magic glow dial. This dial utilizes the excellent optical and light carrying properties of lucite. When the radio is turned on a hidden pilot light transmits light through the lucite and the dial glows.

CIRCUIT DESCRIPTION

The circuit consists of a superheterodyne receiver utilizing the advantages of iron core I.F. for extreme sensitivity. A 12SA7 tube is used as the oscillator-mixer, a 12SK7 is the I.F. amplifier, a 12SQ7 as the second detector and first audio, 50L6 as the beam power amplifier, and a 35Z5 as the rectifier. This high quality receiver brings to the constructor excellent tone response due to intricate cabinet design with a specially prepared tone chamber for advanced realism in radio listening. The model Q is available in four distinct models, 2 battery type receivers, and 2 AC/DC type receivers. Specifications on each model are listed here for your convenience.

GENERAL

ARKAY KIT MODEL Q comes complete with all parts punched chassis detailed construction manual is furnished.

SPECIFICATIONS MODEL Q

CABINET 12 x 7 x 7
 COLOR mottled brown
 SPEAKER 4" Alnico V speaker
 SHIPPING WEIGHT 8 lbs.

MODEL Q5

Model Q5 input 110 volts AC/DC
 FREQUENCY RANGE 550 kc to 1700 kc
 TUBE COMPLEMENT 12SA7, 12SK7, 12SQ7,
 50L6, 35Z5
 CIRCUIT superheterodyne
 ANTENNA built in loop

Price
\$18.15

MODEL Q5X

This kit has the same specifications as Model Q5 except that it is available in two bands.

FREQUENCY RANGE 550 kc to 1700 kc (175-550 meters) 6 mc to 18 mc (16.6-50 meters)

Price
\$21.40

ARKAY MODEL M-4 is an extremely versatile and accurate multimeter which is exceptionally LOW PRICED. It is ideally suited for laboratory, service shop and amateur use. The kit and body is a 4½" meter (400 microamps movement). It uses separate scales for AC voltage and current, DC voltage and current, decibels and resistance. The complete kit with bakelite case, batteries and instruction manual are available.

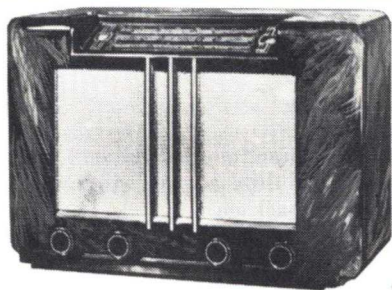
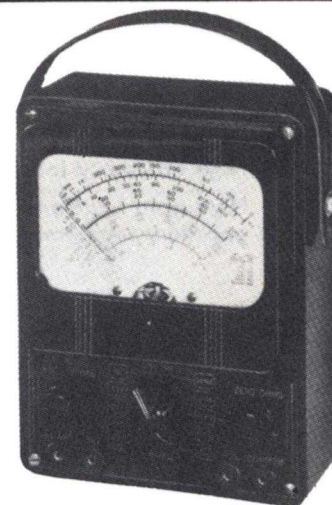
DIMENSIONS are: 6¾" x 5¼" x 3".
SPECIFICATIONS: AC volts: 0-1-5-10-50-100-500-5000 (1000 ohms/volt sensitivity).
 DC volts: 0-5-10-50-100-500-5000
OHM RANGE: 0-600-100K-1 Meg.
AC CURRENT RANGE: 0-1-10-100-1Mil.-1Amp.
DC CURRENT RANGE: 0-1-10-100-1Mil.-1 Amp.
DECIBELS: -20 to +69 in 6 ranges.

ARKAY KIT *Multitester*

MODEL M-4

Shipping Weight 4 lbs.

Price \$13.50



ARKAY KIT *3-Band Radio Receiver*

MODEL K

- High Sensitivity
- Continuous Tuning
- Large Handsome Plastic Cabinet
- Multi Color Dial Scale.

Price
\$29.90

DESIGN:

If you have ever had the urge to build your own professional type multi-band receiver this outstanding kit in the high quality class deserves your attention. ARKAY kit Model M is a receiver of latest design specially suited for the advanced radio student. Continuous frequency coverage from 550 kc to 18 megacycles in 3-bands by this stable high gain receiver. Engineered for extreme sensitivity and selectivity. High gain circuits are used throughout including the new miniature iron core I.F. transformers and many other features not normally expected in a unit of this price range. The 6" PM speaker is mounted off the chassis to prevent feed-back due to microphonics.

DESCRIPTION:

The ARKAY model M 3-band receiver kit uses an attractive multi color dial scale which is calibrated in both meters, kilocycles, and megacycles.

Prices West of the Mississippi. 5% higher.

SPECIFICATIONS

3 band receiver — Speaker 6"
 CABINET size 16½ x 7¼ x 7½
 mottled brown with
 COLOR gold striping
 SHIPPING WEIGHT 13 lbs.

SPECIFICATIONS FOR MODEL M120

FREQUENCY RANGE 166.7 to 560 meters (1800 to 535 kc)
 50 to 16.6 meters 166.7 to 50 meters (6 to 1.8 mc)
 18 to 6 megacycles)
 TUBE COMPLEMENT .. 12SA7, 12SK7, 12SQ7, 50L6, 35Z5
 INPUT 110 volts AC/DC

ARKAY KIT *Television Receiver*

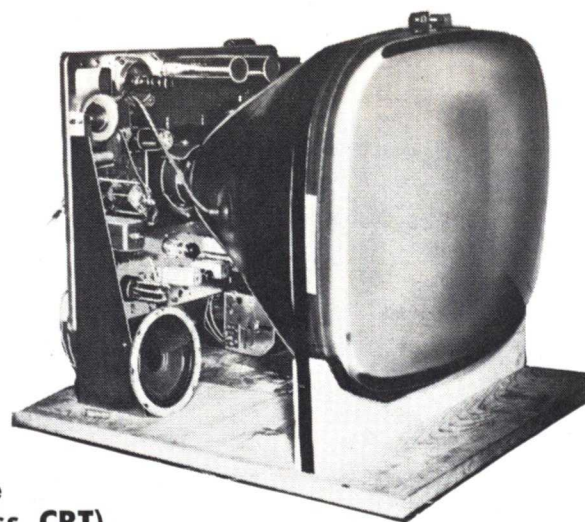
Features

1. Features vertical chassis construction.
2. Series—string—heater type tubes.
3. Features vertical retrace blanking circuits.
4. Reflex sound I.F. amplifier
5. Transformerless operation
6. Turret type tuner (completely wired and tested)
7. 21" picture tube operation.

DESIGN

ARKAY KIT MODEL 14T21 is a television kit of advance design containing the most modern and up to date features. The very latest of design has been utilized in the sync. circuits. This results in excellent stability with extremely low noise characteristics. The use of a specially designed A.G.C. circuit results in maximum sync. hold characteristics. The use of beam power amplifier and the latest in high voltage transformer design brings to the constructor full horizontal sweep and picture of amazing clarity. This receiver kit is designed to operate from 105 to 125 volts 50/60 cycles AC (supply only).

MODEL
14T21

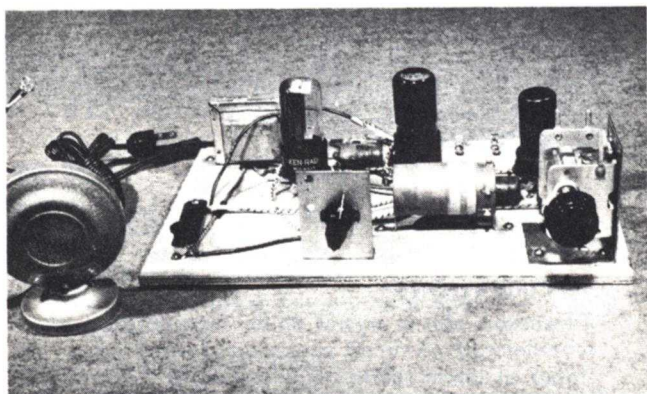


Price
\$79.50 (Less CRT)

SPECIFICATIONS

PICTURE TUBE	21YP4 (Not supplied with kit)
SIDE CONTROLS	On-Off switch and volume control, Contrast, Horizontal Hold, Vertical Hold, Channel Selector and fine tuning.
REAR CONTROLS	Brightness, Height, Vertical linearity, AM Rejection, Sound Sensitivity, Horizontal frequency.
POWER RATING	
SOURCE	117 volts 60 cycles AC
CONSUMPTION	155 watts
FREQUENCY RANGE	Channels 2 through 13
INTERMEDIATE FREQUENCY	
VIDEO I.F. CARRIER	45.75 mc
SOUND I.F. CARRIER	41.25 mc
C.R.T. HIGH VOLTAGE	14 KV
LOUD SPEAKER	5" 3.2 ohm @ 400 cycles
FOCUS	Electrostatic
DEFLECTION	Electromagnetic

ARKAY KIT *10-Project Experimenter's Kit* MODEL 10-1



Price \$13.95

SPECIFICATIONS

POWER REQUIREMENTS	operates on 110 volts AC only.
CHASSIS	breadboard type.
TUBES	12SF5, 35L6, 35Z5.
SHIPPING WEIGHT	4 lbs. approx.
Contains a detailed construction manual.	

The ARKAY Kit Model 10-1 is an extremely versatile kit designed for students entering the electronic field. Also is suitable for the advanced radio enthusiast who would like to build 10 different projects. This kit enables the constructor to build 10 different circuits that actually work. You learn all the important fundamental functioning of various types of circuits. The units you can build with this kit are as follows:

- | | |
|---|------------------------------|
| 1. Broadcast receiver | 6. A capacity operated relay |
| 2. A phonograph or microphone amplifier | 7. A signal tracer |
| 3. A phono oscillator | 8. An electronic timer |
| 4. A home broadcasting station | 9. An electronic switch |
| 5. A code practice oscillator | 10. A photo cell relay |

This kit comes complete with all tubes and parts necessary to complete the above project but less head phones, photo cell, photo cell socket, wire and solder.

OPERATION

The ten circuits provide many hours of fun as well as practical application. The wireless phono oscillator permits you to play records through your radio anywhere in your house. The capacity operated relay serves as a burglar alarm. The code practice oscillator enables you to send code messages. The photo electric cell operates all sorts of electric appliances when activated by a light source and many other unusual and interesting experiments can be performed with this kit.

Prices West of the Mississippi. 5% higher.

ARKAY KIT



6-Transistor Receiver

MODEL TR-6

Price
\$33.95

THE MODEL TR-6 is an ultra modern six-transistor radio kit of advanced design. This kit has been developed by Arkay engineers so that you can have the ideal portable receiver, wherever you happen to be—at home—at the beach—on your fishing trips. Featuring high quality components for top performance and long life, this TR-6 model is an extremely efficient receiver.

Special features of this unusual kit include the following: Prepacked I.F. transformers; built-in ferrite loop antenna; ease of assembly because of uncrowded components; large detailed pictorial diagrams; step-by-step instructions; 24-page construction manual.

It costs no more to operate this set from batteries than you would pay for electric power on a small table model radio. Battery life is approximately 500-1000 hours. The receiver is housed in a modern Texon leather case which is unbreakable and smartly handsome.

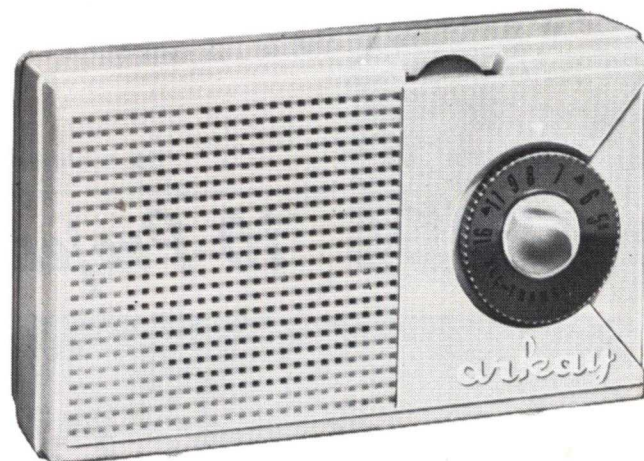
SPECIFICATIONS

CIRCUIT	Superheterodyne
FREQUENCY RANGE	550-1600 KC
I.F. FREQUENCY	455 KC
POWER SUPPLY.....	9 volt energizer
POWER OUTPUT.....	300 milliwatts
A.G.C.	Applied to first I.F. stage
OUTPUT CIRCUIT.....	Push pull class "B"
SIZE	9 x 5 x 2¼
SHIPPING WEIGHT.....	2 lbs.

ARKAY KIT

5-Transistor Pocket Receiver

MODEL TR-5



Price **\$29.95**
Carrying Case \$ 1.75

THE MODEL TR-5 is a truly personal portable transistor superheterodyne receiver kit. Constructive simplicity is just one of many reasons why it is a leader in its field. New stamped component layout on printed circuit board virtually eliminates all wiring and allows for easy, trouble-free placing of components. Average construction time is only 2 hours. It comes with a beautiful cabinet of high-impact Styrene.

Other outstanding features: "Miracle Ear" Sensitivity and extremely low battery drain of the transistors, giving hours and hours of listening pleasure. You'll be proud to own and use the TR-5 wherever you travel or as another house radio.

The construction manual contains step-by-step instructions; giant pictorial diagrams; schematic diagrams; theory of operation; voltage and resistance charts.

SPECIFICATIONS

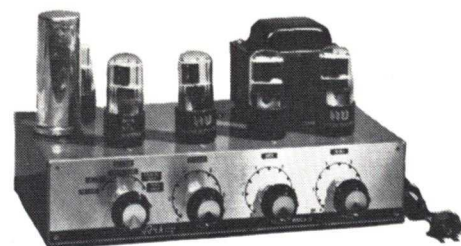
5 transistors plus a crystal diode incorporated in a superheterodyne circuit, consisting of a converter, two stages of intermediate amplification, a diode detector, audio driver, and a class A power amplifier output stage. Complete subminiature parts used throughout. Frequency range: 540-1600 KC. Intermediate frequency: 455 KC. Loudspeaker: 2¾". Alnico V. Battery: 13½ volts. Current consumption: 5.5 ma. (approx.). Battery life: 150 hrs. (intermittent use). Power output: 150 milliwatts audio system. An ear-phone jack included for private listening. Size: 5½ x 3¼ x 1½. Shipping weight: 1 lb.

ARKAY KIT

Hi-Fi 12-Watt Amplifier

MODEL A-12

Price A-12 \$23.95
A-12W (Wired) \$31.45



SPECIFICATIONS

FREQUENCY RESPONSE	± 1 db 20 to 20,000 cycles
POWER OUTPUT	12 watts
TOTAL HARMONIC DISTORTION	1% (@ 3 db below rated output)
TONE CONTROLS	
BASS (@ 30 cps)	15 db boost, 15 db cut
TREBLE (@ 15 kc)	15 db boost, 20 db cut
TUBE COMPLEMENT	6SC7 magnetic phono pre-amplifier and input amplifier 6SL7 voltage amplifier, tone control amplifier and phase inverter 6V6 push-pull pentode power amplifiers 5Y3 rectifier
DIMENSIONS	11" x 7" x 5"
SHIPPING WEIGHT	11 lbs.
POWER REQUIREMENTS	110 to 125 volts, 50 to 60 cycles

Features...

1. Full 12 watt output-push pull 6V6's.
2. Separate bass and treble tone controls.
3. Output transformer tapped at 4, 8 and 16 ohms.
4. True Hi-Fi performance ± 1 db 20 to 20,000 cycles 5 position selected compensated inputs.
5. Power transformer operated.
6. Built-in pre-amplifier.

DESIGN

All necessary functions combined with minimum investment. Single chassis construction. Contains pre-amplifier, main amplifier and power supply all on one chassis. 5 separate inputs are provided and all controls from a master control switch on the front panel. Separate bass and treble tone controls, each offering maximum db boost and cut. Inverse feed-back used here to help smoothen out the characteristic curve of this amplifier. Multi-tapped output transformer is used to match 4, 8 and 16 ohms voice coils. Heavy duty electro-static shielded power transformer, smooth well operating filtered power supply and a detachable dress panel is provided for custom installations and your convenience.

PERFORMANCE

Virtually fulfills all necessary performance requirements for a Hi-Fi Amplifier. Excellent response characteristics, adequate reserve power output full control action. All these fine features with extremely low cost. Designed primarily as a Hi-Fi amplifier for home installations with excellent quality characteristics.

CONSTRUCTION

Your A-12 kit has a complete detailed step-by-step construction manual with large wall size pictorial diagrams, makes this kit fun to assemble and can be a start in your build it yourself program and results in an excellent High Fidelity Amplifier for home use. A 20 page instruction manual is furnished with each kit to insure ease of assembly and truly good performance.

Cover Available \$3.95

ARKAY KIT

AC-DC Hi-Fi 5-Watt Amplifier

Price \$12.25

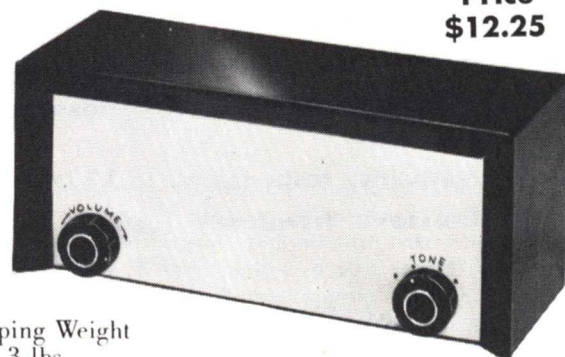
Features...

1. True Hi-Fi performance
2. Miniature tubes for low hum and noise level
3. Unusual tonal realism
4. Very simple to construct

SPECIFICATIONS

FREQUENCY RESPONSE	20 to 18,000 cycles ± 1.5 db
POWER OUTPUT	5 watts
OUTPUT TRANSFORMER IMPEDANCE	4 ohms
TUBE COMPLEMENT	12AX7 input amplifier and phase inverter • (2) 35C5 push pull pentode power amplifier • 35W4 rectifier

MODEL FL-5



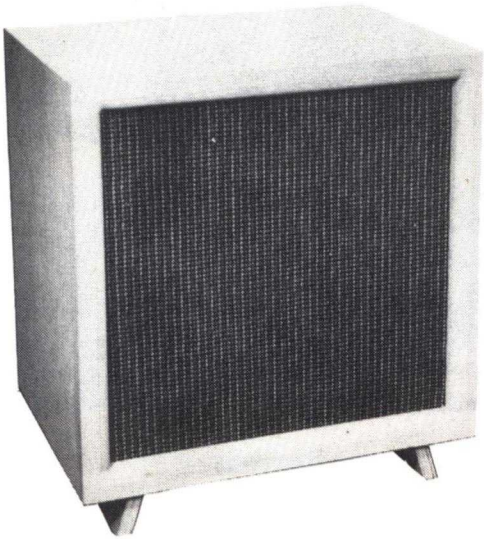
Shipping Weight 3 lbs.

This kit is an AC/DC Hi-Fi Amplifier Kit and represents a top value in the low priced field. It is capable of excellent performance far above the level expected in its price range. This unit offers a basic educational approach to quality music without entailing great expense. The choice of a tuner or phonograph input can be accommodated by this amplifier. The instruction manual supplied with this kit carries all detailed information necessary for successful assembly. Large pictorial, schematic, and step-by-step instructions are supplied to simplify construction to a point where the average hobbyist can complete this kit with ease.

Prices West of the Mississippi. 5% higher.

ARKAY KIT *Infinite Impedance Baffle*

MODEL B-12



Price B-12 \$12.95
B-12S \$25.00

ARKAY KIT MODEL B12-S. This kit is a highly efficient speaker system. Has been designed for exceptionally clean audio response ± 5 DB from 40 to 13,000 C.P.S. This kit comes equipped with a high quality coaxial speaker which is mounted in our Model B12 cabinet kit. Shipping Weight is 35 lbs. approximately.

ARKAY CABINET KIT MODEL B-12 is an infinite impedance baffle supplied in kit form for a 12" speaker maximum size. This kit when assembled will measure 17 x 17½ x 15-5/16, not counting the height of the Hollywood legs. The cabinet is an exact replica of a very expensive sound chamber. The enclosure is acoustically tuned. This cabinet can be beautifully finished in various types of finishes or can be easily covered in any style leatherette. The assembly of the kit is extremely simple. All you have to do is nail and glue. Everything has been cut to size. Complete instructions and pictorial drawings in easy to follow steps, are supplied. This cabinet can be assembled by anyone handy with a hammer and nail and a little sandpaper. All parts, glue, trim, insulation, grill cloth, legs, nails and sandpaper are furnished. Shipping Weight 29 lbs.

ARKAY KIT

Basic Hi-Fi Speaker System

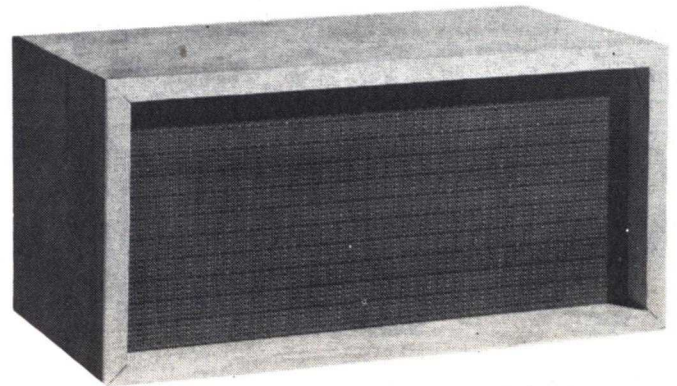
MODEL B-8

Features...

1. Separate speakers for high and low frequencies.
2. Newly designed crossover network.
3. Attractive styling and handsome appearance.
4. Frequency response 40 to 13,000 CPS.
5. Crossover frequency 1,500 CPS.

Arkay Kit Model B8 is a new high fidelity speaker system in kit form. This speaker system has been designed to bring to the audiophile true, brilliant audio reproduction without the usual "humps" that are prevalent at certain frequencies. This kit measures 12x24x12 an attractive piece of furniture as well as an outstanding speaker enclosure. The kit is completely knocked down and can be assembled by the constructor into a high grade finished piece.

Arkay Kit Model B-8 is a base reflex, ducted-port and is equipped with a low frequency woofer and a high frequency Exponential Speaker together with a variable balance control for the adjustment of the tweeter. The cabinet material is made of furniture grade plywood and the choice of finish can be applied.



Price
\$35.95

Shipping Weight 25 lbs.

SPEAKERS

Low Frequency 8 inch Jensen Speaker.

High Frequency Exponential Horn "Jensen" with compression driven element.

Power rating 25 watts.

Nominal impedance 16 ohms.

"L" Pod Balance Control for high frequency driver.

Prices West of the Mississippi. 5% higher.

www.SteamPoweredRadio.Com

ARKAY KIT AM-FM Tuner

Features...

- Foster-Seeley Discriminator.
- Grounded Grid Amplifier.
- Flat Type Construction.
- Easy Assembly.

This kit delivers astonishing performance at truly moderate cost and is designed in the flat type of construction and can be used as a companion to Model F1-10 amplifier. Its small size makes it suitable for table, shelf, or cabinet mounting in custom home music installations.

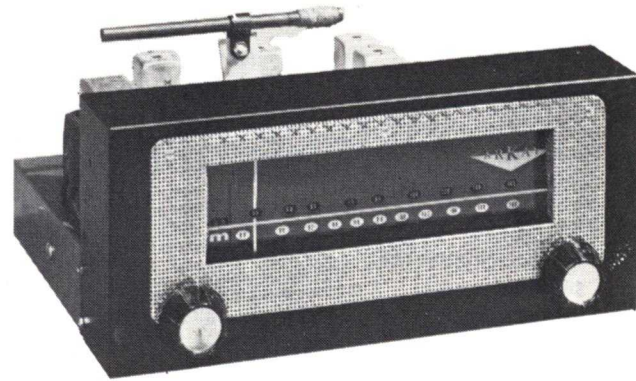
DESIGN

Grounded grid RF amp. FM front end. Extremely low noise characteristic, automatic frequency control with provisions for AFC erase. Allows pinpoint, high selectivity tuning. A Foster-Seeley discriminator is used. A high efficiency AM loop stick antenna. Edge lighted slide rule dial. Temperature compensated oscillator circuit.

With the increased popularity of the home Hi-Fi systems the FM-AM Tuner has been brought into its own. Here, at a small fraction of the cost of commercial units the home constructor can complete his own tuner. The wide frequency response and low noise characteristics make this model a very worth while project. This kit can be operated in conjunction with a High Fidelity amplifier, thus completing the home Hi-Fi set-up. Completely AC operated thereby eliminating hum problems usually found in expensive tuners.

ARKAY kit model FM-AM Tuner features a 7 tube circuit plus selenium rectifier, 3 double tuned IF stages followed by a carefully designed limiter discriminator providing maximum selectivity and sensitivity throughout the full FM band.

MODEL HFT-7



Price HFT-7 (AM-FM) \$32.00
HFT-7W (Wired) \$49.95
Cabinet \$ 3.95

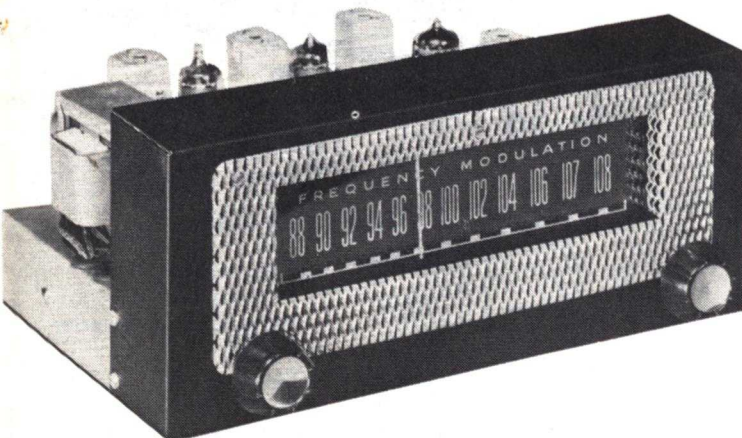
SPECIFICATIONS

Frequency Range	FM, 88 to 108MC.; AM, 535 to 1680KC.
Sensitivity	FM, 4UV for 20 DB quieting; AM, 20UV.
Selectivity	FM, 200KC. Bandwidth-6DB down; AM, 8KC Bandwidth 6DB down.
Distortion	Less than 1%
Hum Level	-70DB.
Power Requirements	110-120 Volts 60 cycles 35 watts
Tube Complement	(2) 12AT7 (1) 6BE6, (1) 6BA6 (2) 6AU6 (1) 6AL5; selenium rectifier.
Size	5 1/4" H-9 1/2" W-8" Deep.
Shipping Weight	9 lbs.

YOU CAN OBTAIN INDIVIDUAL SPECIFICATIONS ON OUR KITS BY SENDING A SELF ADDRESSED ENVELOPE ALONG WITH 10c TO COVER COST OF MAILING AND HANDLING.

ARKAY KIT FM Tuner

MODEL FM-6



Price FM-6 \$25.75
FM-6W (Wired) \$39.95
Cabinet \$ 3.95

DESIGN

Arkay Kit Model FM-6 has been designed to bring to the constructor an extremely sensitive and stable FM receiver kit utilizing grounded grid front end. A Foster-Seeley discriminator. Temperature compensated oscillator circuit. 3 doubled tuned IF stages followed by a carefully designed limiter and discriminator thereby providing maximum selectivity and sensitivity throughout the FM band and an excellent A.F.C. circuit with a defeat switch is incorporated in this kit.

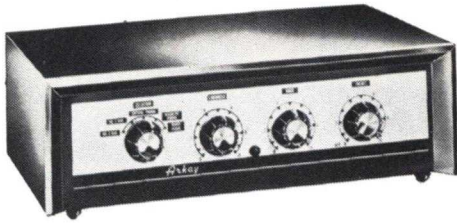
SPECIFICATIONS

SENSITIVITY	4UV for 20DB quieting.
SELECTIVITY	200KC bandwidth 8DB down.
FREQUENCY RANGE	88 to 108 MC.
IMAGE REJECTION	40DB minimum.
HUM LEVEL	-70DB.
POWER INPUT	110-120 volts 60 cycles
SIZE	5 1/4" x 9 1/2" x 8
SHIPPING WEIGHT	9 LBS.

ARKAY KIT

MODEL FL-10

Hi-Fi 12-Watt Amp-Preamp.



POWER CONSUMPTION..	85 watts.
SHIPPING WEIGHT.....	14 pounds.
DIMENSIONS.....	12½ wide x 4" high x 8½ deep approx.
FINISH.....	Desert ivory, Bright gold.
SPECIAL FEATURE.....	Tape output unaffected by loudness and tone controls.
SUPER LINEAR.....	Output circuit—using (2) 6V6/GT
POWER OUTPUT.....	12 watts
PEAK POWER.....	18 watts
OUTPUT IMPEDANCES.....	4, 8 and 16 ohms.
FREQUENCY RESPONSE.....	± 1 DB 20-40,000 C.P.S. below 10 watts
HUM.....	Minimum volume — 80 DB below 10 watts Aux—and tuner — 65 DB below 10 watts Phono hum — 55 DB below 10 watts
TONE CONTROLS.....	± 16DB @ 50 and 10,000 C.P.S.
INPUT LEVELS.....	Aux. 0.3 volt Phono—6 mil- livolts
RECORD EQUALIZATION.....	LP, RIAA and EUR.
CONTROLS.....	(4) Function, Loudness, Bass and Treble.
A.C. OUTLET.....	Controlled by ON-OFF switch on front panel.

Price
FL-10 \$29.95
FL-10W
(Wired) \$44.95

SPECIFICATIONS

ARKAY... presents... its new *Super Linear Williamson Amplifier and Preamplifier Kit FL-10*. The FL-10 was designed with the finest features and quality ever presented in an amp-preamp combination.

The special features of this kit provide the audiophile and custom builder with a compact self-powered amp-preamp which greatly simplifies his installations.

- HI-FIDELITY
- SUPER LINEAR WILLIAMSON TYPE

A high fidelity amplifier with pre-amp. This complete 12 watt amplifier kit with built-in preamplifier is a combination for achieving brilliant high fidelity performance. Utilizing superlinear pushpull output stage. This low price amplifier is comparable in power and reproduction to much more expensive units. Features high power handling capacity wide response unusually clean, distortion-free output. An excellent opportunity for budget-minded Hi-Fi enthusiasts to bring to his home up-to-date top-notch Hi-Fidelity equipment.

CONTROLS

Treble-On/Off Control • Bass Control • True Loudness Control • A 5 position input selector record equalizer (tape, tuner, phono with equalization for LP, RIAA, EUR Tuner). This unit was built for complete flexibility.

This kit affords an opportunity for even the most economy minded Hi-Fi enthusiast to enjoy all the advantages offered through Hi-Fi reproduction of the finest recorded music. Simplified step-by-step instruction manual together with pictorial and schematic diagram enables the constructor to build this elaborate amplifier without the necessity of electronic knowledge or special equipment. A few pleasantly spent hours will transform this kit into an excellent high fidelity amplifier.

ARKAY FL-30 is a newly designed masterpiece of engineering and electronic achievement. A transistorized Front end for use with a reluctance pickup assures you of a high gain low noise front end which is a must for high fidelity phono reproduction, with equalization for over 30 different recording labels.

It is the only amplifier using a transistorized front end that gives record equalization for more than 30 record labels (LP, RIAA and EUR.)

Input for phono-tuner-tape-Aux. 1 and Aux. 2—are provided by front panel selection. A tape Output Jack unaffected by the loudness-bass and treble controls permit simultaneous recording while the controls are adjusted for your own listening pleasure.

SPECIFICATIONS

Super Linear Output	(2) EL-34/6CA7.
Power Output	30 watts @ 1.5% 1M.
Max. Power	48 watts
Output Impedances	4, 8, 16 ohms.
Frequency Response	.5 DB 20-30,000 C.P.S. below rated output
Hum	120 DB below rated output
Aux-tuner	120 DB below rated output
Phono	120 DB below rated output
Tone Controls	± 16 DB @ 50 and 10,000 C.P.S.
Controls (6)	Function, loudness, bass, treble level set, five position balance adj.
A.C. Outlets (2)	Controlled by on-off switch an front panel
Power Consumption	130 watts
Shipping Weight	26 Pounds

ARKAY KIT Hi-Fi 30- Watt Amplifier



MODEL
FL-30

Price
FL-30 \$49.95
FL-30W
(Wired) \$74.95

TUBE COMPLEMENT

X1	Transistor	Pre-amplifier
V2	6AV6	Pre-amplifier
V3	12A7	Voltage amp./inverter
V4	12AU7	Driver
V5	EL-34/6CA7	Power Amp.
V6	EL-34/6CA7	Power Amp.
V7	5V4	Full wave rectifier.

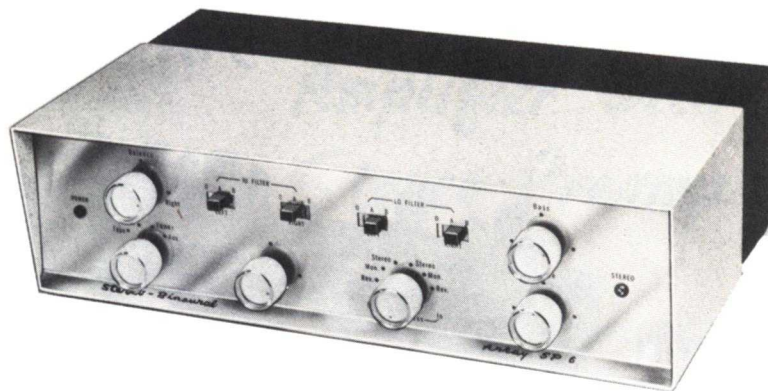
Dimensions 16" wide x 5" high x 9" deep approx.

**Special features Transistorized front end—
tape output jack**

ARKAY KIT

Stereo Preamplifier

MODEL SP-6A



THE SP-6 STEREO PRE-AMPLIFIER performs with ease the most exacting requirements for stereophonic Hi-Fi. Actually 2 separate pre-amplifiers in one, the SP-6 affords the user maximum control over either channel. Outstanding features of the SP-6 are inputs for NARTB tape head, magnetic phono, tuner, and auxiliary equipment for each channel. For simplification, the volume control regulates both channels simultaneously. In addition, separate balance controls permit exact adjustment for each channel. Input level controls prevent overloading. The SP-6 may also be used as a conventional pre-amplifier. A most comprehensive construction manual and large, clear, easy to understand pictorial diagrams, makes the SP-6 an easy kit to successfully build and use for many enjoyable years.

Selector Switch

Balance Control

Gain Control

Function Switch

(4 Pos.) 1) NARTB Tape Head, 2) RIAA Mag. Phono, 3) Tuner, 4) Aux. Left and Right balance 20 D B adj. Controls both channels simultaneously. 6 pos. Stereo—Monaural—Reverse. Loudness in, Stereo—Monaural—Reverse Loudness out. Dual Bass and Treble Controls ± 16 DB @ 60 cycles and 10,000 cycles.

Specifications

Frequency Response	20 to 30,000 C P.S $\pm 1/2$ D B
1 M Distortion	less than $1/4\%$
Hum—Tape-Phono	70 D B
Hum—Tuner Aux.	90 D B
Outputs—Cathode follower	1.5 V, 3 V max.
Outputs—Tape—Mon.	5.0V, 10V max.
Input level adjustments	(4)

Price

SP-6A

(cover for above)

SP-6W (wired)

\$39.95 Less Cover

6.95

62.95

Filters Hi and low (4) 0-6-12 DB @ 60 cycles and 10,000 cycles.

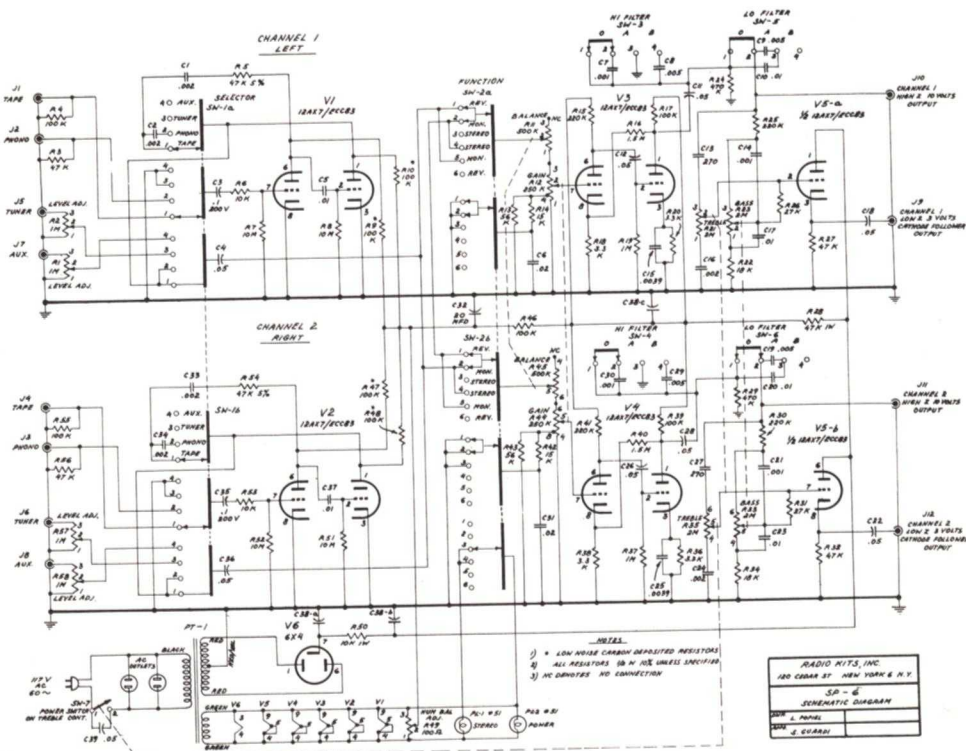
Sensitivity—Tape—Phono 2 M V for 1.5 or 5.0V out.

Sensitivity—Tuner—Aux. .1 V for 1.5 or 5.0V out.

DC controlled filaments—Built in full wave power supply, 25 W @ 60 cycles.

Weight 10 lbs.

Size 15" x 4" x 8"



Stereophonic AM-FM Tuner



Price ST-11
\$49.75

ST-11W (Wired)
\$74.50

Cover Available
\$6.95

No stereophonic system is complete without a stereophonic tuner—a tuner able to tune both AM and FM simultaneously on separate channels, for that is how stereo radio is received today. The ST-11 is actually two distinct radios in one. ARKAY "Miracle Ear" sensitivity and design make the ST-11 a very efficient tuner on either channel whether you're using them singularly for monaural reception or simultaneously for stereophonic. ARKAY construction has also simplified assembly of the ST-11. Large pictorial diagrams and construction manual written in simple, easy to read, every day English allows you to construct the ST-11 with the ease of a trained technician. The smart design of the ST-11 and the excellence of operation assures a quality component you'll be proud to own, use, and display in your home.

SPECIFICATIONS

FREQUENCY MODULATION—Tuning Range: 88 to 108 mc.; Sens.: 4 μ V. for 20 db. quieting (S/N); Bandwidth: 200 kc., 6 db. down; Image Rejection: 30 db. minimum; Frequency Response:—0.5 db. 20 to 20,000 cps.; Hum level:—65 db.; Automatic frequency control (AFC); Output: Cathode follower with level adjustment; Antenna input: 300 ohm balanced or unbalanced; Standard 75 microsecond de-emphasis network.

AMPLITUDE MODULATION— Tuning Range: 540 to 1650 kc.; Narrow band (3 kc.) and Wide band (8 kc.) reception; Sensitivity: 2 μ V. for 20 db. quieting (S/N); Tuning: 3 section ganged (tuned RF stage, osc. and mixer); Automatic gain control (AGC); Whistle filter—eliminates flats between adjacent stations; Frequency response: 20 to 8500 cps.; Output: Cathode follower with level adjustment; Self contained power supply—Consumption: 40 watts @ 60 cycles; Weight: 12 lbs.

TUBE COMPLEMENT—FM—12AT7—RF amplifier—mixer; 12AT7—Osc.—reactance modulator; 6BA6—1st. I.F.; 6BA6—2nd I.F.; 6AU6—Limiter; 6AL5—Foster-Seeley discriminator; 1/2 12AT7—Cathode follower—FM • AM—6BA6—RF Amplifier; 6BE6— Converter, osc.-mixer; 6BA6— I.F.; Diode—Detector; 1/2 12AT7—Cathode follower—AM; Selenium rectifier power supply.

Size 15"x4"x8"

ARKAY KIT MODEL CS 28

CS-28 **\$64.95**
CS-28W (Wired) **99.95**

Arkey Model CS-28 is a complete stereo amplifier containing a dual 14 watt power amplifier and integrated preamp. You can now enjoy the superior performance of this top quality complete stereo amplifier containing features totally unexpected in this low-priced range. Power output at maximum damping is conservatively rated at 28 watts monaural and 28 watts stereo. The frequency response for each channel is 20 cycles to 20,000 cycles with less than 1% harmonic distortion. Model CS-28 selects preamplifiers and amplifiers in stereophonic or monaural phono, tape head, tuner and auxiliary components. All inputs and outputs are of dual variety for the rendition of full stereophonic reproduction. In addition to the Model CS-28's outstanding features, it may be used as a stereo preamplifier only by simply operating a front panel switch. All of the preamplifier facilities including tone controls are available at the dual preamp output jack and can be used to drive other power amplifiers easily, while the CS-28 is driving its own amplifier and speaker system.

Some additional features are a DC operated filament on the preamp tube, thus assuring freedom of hum. A hum balance control is also provided to cancel any residual hum which may be present. A dual gain control and a loudness in and out switch, a tape in and out switch, bass and treble controls, special rumble filters are provided to accomplish the necessary attenuation of annoying rumble or flutter that may be present in your phonograph or your tape deck. Dynamic AC balancing circuit for the output tubes are included in each channel.

Arkey's theme "Beauty and Performance" will prevail. Model CS-28 is perfectly styled in the cabinetry which won the famous "Fashion Foundation of America Gold Medal award, thereby assuring the owner of the world's finest styling.

Arkey Model CS-28 is truly functional equipment which insures the owner of an electronic device for the advance in the art of stereo Hi-Fidelity reproduction.

- **Integrated Stereo Pre Amp and 28 Watt Power Amplifier.**
- **28 Watt Stereo Amp.**
- **14 Watts Per Channel**



Specifications

Rated Combined Output—28 watts, 60 watts peak. 14 watts each channel—30 watts peak.

Each Channel

- IM Distortion 60-6000 C. P. S. (4 to 1) 1% at 14W.
- IM Distortion 60-6000 C. P. S. (4 to 1) .5% at 10W.
- Harmonic Distortion**— Less than 1% 30 to 20,000 C. P. S. at rated output.
- Transients Distortion** (60 C. P. S. Tone burst) less than 1% at rated output.
- Transient Response** 3 μ sec. rise—barely noticeable ringing, fast recovery on 10 AC square wave.
- Frequency Response** 20-20,000 C. P. S.
- Feedback** 18 DB
- Damping Factor** 10
- Feedback Stability Margin** 14 DB.
- Sensitivity—for full output**
 - Tape—2mv.
 - Phono—3.5mv.—.3 volt. (Ceramic).
 - Tuner—.4 V.
 - Aux.—.4 V.
- Hum-Noise** Low level inputs 70DB.
High level inputs 80DB.
- Tone Control**—16DB @ 50 C. P. S. and 10 KC.
- Filters**—12DB 50 C. P. S.
- Speaker Outputs**—4, 8, 16 and 32 ohms.
- Pre-Amp Outputs**—2V.
- Tape-Recorder Outputs** 4V.
- Power Rating**—125 watts at 117 VAC 60 cycles.
- Dimensions**—Cabinet—16" wide x 5" high x 9" deep approx.
- Shipping Weight**—29 lbs.
- Tube Complement** 4—12AX7/ECC83, 2—12AV7/ECC82, 4— EL84/6BQ5, 1—5V4/GZ34.



ARKAY KIT

25-Watt Hi-Fi Amplifier with Stereo Preamp.

Price
SA-25 \$59.95

SA-25W
(Wired) \$89.95

MODEL SA-25

Size 15"x6"x9"

SPECIFICATIONS

Here's the world's first stereo pre-amp.-amplifier kit. A dual channel pre-amplifier, amplifier, and power supply on one chassis for simple and easy construction. The SA-25 employs the latest circuits and finest components to give you realistic, breathtaking Hi-Fi performance as can only be achieved through stereophonic sound. The ARKAY method of construction assures you of foolproof assembly even if you're a beginner. The specifications of the SA-25 and the price will convince you that dollar for dollar, it's your best Hi-Fi buy.

Channel 1 features a pre-amplifier with equalization for LP-RIAA-EUR, Magnetic phono, NARTB tape head (a must for stereo), Tuner, and Auxiliary equipment. The pre-amp. drives a 25 watt Super Linear Williamson amplifier of exceptional high fidelity.

Channel 2 features a pre-amp. with the same facilities as channel 1. To channel 2 is added your present amplifier for incomparable stereo playback or if you desire, the two channels can be coupled together for dual inputs of any existing equipment for monaural playback.

CHANNEL 1—Power Rating: 25 watts; Frequency Response: ± 2 db. 20 to 30,000 cps.; I.M. Distortion: 1.8% @ 20 watts; Harmonic Distortion: 1.5% @ 20 watts; Sens.: Tape, 3 mV. for 20 watts; Phono., 6 mV. for 20 watts; Tuner-Aux., .3 V. for 25 watts; Loudness control to compensate for Fletcher-Munson effect; Volume control—controls dual channels; Bass Control: ± 16 db. @ 60 cps.; Treble Control: ± 16 db. @ 10,000 cps.; Speaker Selector: Controls predetermined speaker from front panel; Lo-Cut filter: 2 positions; -6 db. & -12 db.; Hi-Cut filter: 2 positions; -6 db. & -12 db.; Channel 2 switch: Controls channel 2 on-off; Function Switch: LP-RIAA-EUR-NARTB tape, tuner, and auxiliary; Hum Level: -90 db. (virtually non-existent)—tape -70 db.

CHANNEL 2—.5 volt output; Sens.: Tape, 3 mV. for .5 V. output; Phono., 6 mV. for .5 V. output; Tuner-Aux., .3 V. for .5 V. output; Channel 2 controlled by an on-off switch on front panel. Volume regulated by a volume control ganged to Channel 1; Function switch: LP-RIAA-EUR-NARTB tape head, tuner and auxiliary; Tubes: (8) 2-6L6GB, 1-5U4, 2-12AX7 (ECC83), 1-12AT7 (ECC81), 1-12AU7 (ECC82), 1-6C4; Power Consumption: 120 watts @ 60 cycles—weight 29 lbs.; Prices: Kit—\$59.95—Wired—\$89.95.

ARKAY KIT

Hi-Fi (Broad Band) AM Tuner



Price AM-5 \$29.95
AM-5W (Wired) \$44.95

MODEL
AM-5

Cover Available
\$3.95

SPECIFICATIONS

Frequency Range: 540 to 1650 kc.; Wide and Narrow Band performance—adjustable control on front panel; Frequency Response: 20 to 3500 cps. narrow band position; 20 to 8500 cps. wide band position; Sensitivity: 2μ V. for 20 db. quieting (S/N); Tuning: 3 section gang condenser (R.F. amp.—mixer—osc.); Cathode follower output; Audio output: 1 volt.—output level control; 10 kc. whistle filter (eliminate whistling between adjacent stations); Edge lighted slide rule dial; Power Consumption: 25 watts @ 60 cycle.

TUBE COMPLEMENT — 6BA6 — R.F. amplifier; 6BE6 — Osc. mixer; 6BA6—I.F. amplifier; 6AL5—AVC—detector; 6AV6—Cathode follower; Self contained power supply; Weight 9 lbs.; Prices: Kit—\$23.45—Wired—\$35.95.

THIS NEW ARKAY AM-5, AM TUNER, contains features and circuits never before found in AM tuners. Featuring broad band reception, and AVC on all stages, the AM-5 can be a wonderful source of Hi-Fi entertainment. ARKAY "Miracle Ear" sensitivity (2μ V. for 20 db. S/N) pulls in those faraway stations with amazing volume and clarity of tone. Of course, ARKAY construction allows for simple, trouble free assembly in just a few short enjoyable hours.

Prices West of the Mississippi. 5% higher.

ARKAY KIT

Model CS 12

STEREO PRE-AMP. & AMP.,
12 WATT STEREO
PRICE CS-12

\$36.95

CS-12W (WIRED)

\$57.50



Enjoy the latest advances in the changing art of High Fidelity listening—Stereophonic reproduction through the new ARKAY Stereo Pre-amp and amp., Model CS-12. Our Model CS-12 is a low cost Stereophonic amplifier with pre-amp; and comprises a sensational 12 watt Stereophonic and Monaural integrated power amplifier and pre-amp of advanced design. This unit selects and controls all Stereo or Monaural program material with amazing ease and flexibility. It operates from any ceramic or crystal cartridge, high output tape decks, tuners and other auxiliary equipment. All inputs are of the dual variety for the rendering of full Stereo reproduction.

SPECIFICATIONS

Power output, 12 watts, peak power, 20 watts, frequency response, ± 1 DB, 20-20,000 C.P.S. I.M. distortion, 4 to 1; 60-7,000 C.P.S. 1.2% Impedance 4, 8, 16 ohms. Input levels .3 V. for full output.

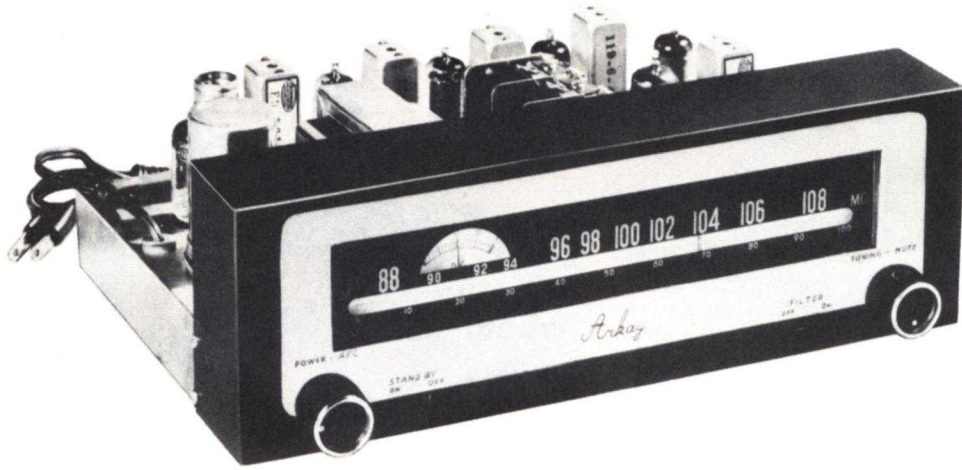
Controls: Selector—5 position; Function—5 positions; Balance—Left, Center, Right; Loudness—in and out; Bass; Treble.

Tube Complement—3-12AX7 /Ecc83; 4-50L6GT. Power Supply; transformer less Selenium Rectifier.

Dimensions: 15 W x 6 1/4 D x 5 1/2 H.

Complete specifications available upon request.

www.SteamPoweredRadio.Com



ARKAY KIT Professional FM Tuner MODEL FM-8

Price FM-8 \$39.95
FM-8W \$59.95
(Wired)

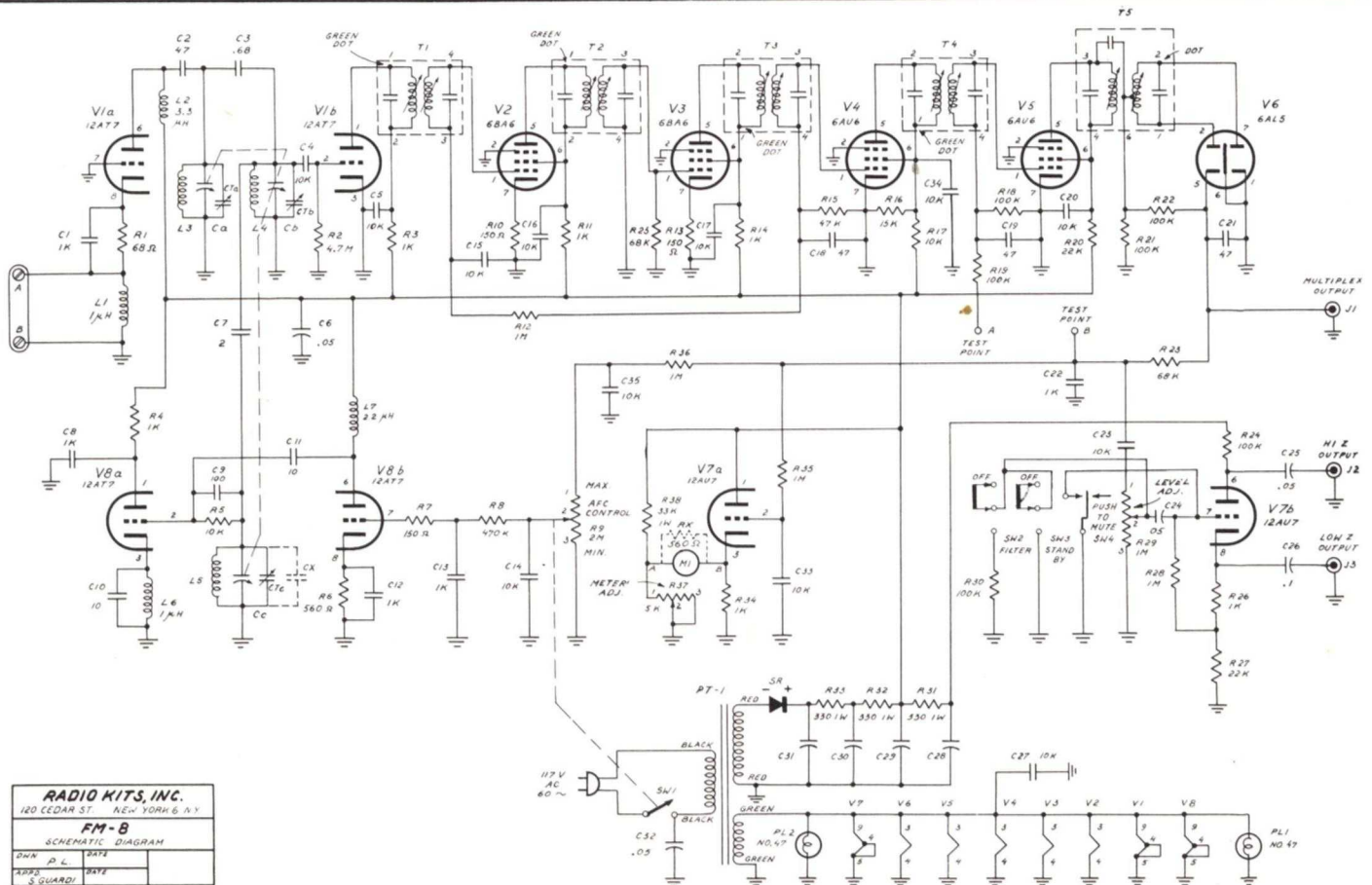
THE NEW ARKAY FM-8, FM TUNER, represents the finest FM tuner kit available at any price. ARKAY has gone all out to bring you unparalleled performance and ease of construction. ARKAY "Miracle Ear" sensitivity results in 1.9 μ V. for 20 db. of quieting. The 75 microsecond de-emphasis control amplifies the signal to noise ratio and helps account for the superior performance of the FM-8. The tuning meter enables exact pin-point tuning of the FM stations. Your wisest choice is the ARKAY FM-8—STANDARD OF THE PROFESSIONALS!

SPECIFICATIONS

Sensitivity: 1.9 μ V. for 20 db. quieting (S/N); Frequency Response: 20 to 20,000 cps.; Standard 75 microsecond de-emphasis network; 3 tuned RF Stages (3 gang variable condenser); All triode front end; 5 double tuned I.F. stages; Dual limiters; Armstrong FM—Foster-Seeley Discriminator; Variable Automatic Frequency Control (AFC); Automatic Gain Control (AGC); Silent tuning system (Sound muting controlled by front tuning knob); Stand-by Switch; Low filter switch; Tuning Meter (VTVM circuit) balance control for meter; Output #1—Cathode follower; #2—High level; #3—Binaural FM (Multiplex); Output level control; Edge lighted slide rule dial; 0-100 logging scale; Self contained AC power supply—Consumption 35 watts @ 60 cycles; Weight: 11 lbs.

TUBE COMPLEMENT—12AT7—R.F. Mixer; 12AT7—Osc.-Reactance modulator; 6BA6—1st. I.F. amplifier; 6BA6—2nd. I.F. amplifier; 6AU6—1st. limiter; 6AU6—2nd. limiter; 6AL5—Foster-Seeley Discriminator: Armstrong Circuit; 12AU7—Cathode Follower.

Cover Available \$4.95



RADIO KITS, INC.	
120 CEDAR ST. NEW YORK 6, N.Y.	
FM-8	
SCHEMATIC DIAGRAM	
DWN	D. L. SAYS
APP'D	S. GUARDY

ARKAY Dual Hi-Fi Amplifier

for use with bi-amplifier, dual speaker or stereo systems

For those who are starting into High Fidelity, what better way than to start with stereo? The SPA-55 can be used in a bi-amplifier system, a dual speaker system or a stereo system.

Two identical 30 watt amplifiers giving a combined output of 60 watts, using a common power supply, on a single chassis makes any system a better system. The well regulated power supply, the high quality power and output transformers, the high quality components and a full set of balancing controls for each channel. The balance controls are so arranged that they control the bias, the balance and the input level. The paralleled inputs of this amplifier enable a single source input to deliver output for dual speaker use.

The features, advanced engineering and performance of the SPA-55 is unsurpassed in the field of high fidelity electronics.

The use of individual power amplifiers in the 60 watt class is the most logical approach in a Stereo or Monaural System. With the Arkay dual power amplifier it no longer becomes necessary to overload or mismatch speaker systems to achieve the power levels demanded of wide dynamic program material. Arkay's Self powered Pre-Amplifier Series SP-6 is an excellent companion unit to the SPA-55.

SPECIFICATIONS

	SPA-55 CHANNELS 1 & 2	SPA-35 CHANNELS 1 & 2
Power rating	30 Watts (2 ea. 6L6GB)	20 Watts (2 ea. 6BQ5A/7189)
Maximum Power	60 Watts (2 ea. 6L6GB)	40 Watts
Frequency Response at Rated Output	½ DB 20-20,000 CPS	½ DB 20-20,000 CPS
Frequency Response	1 DB 10-50,000 CPS	1 DB 10-50,000 CPS
	Below rated output	Below rated output
	1.5% @ 25 Watts	.9% @ 17.5 Watts
	.9% @ 25 Watts	.8% @ 17.5 Watts
IM Distortion	16	16
Harmonic Distortion	1.6 Ohms	1.6 ohms
Damping Factor	90 DB below rated output	90 DB below rated output
Internal Impedance	1 volt RMS	1 Volt RMS
Hum	Dual input	Dual input
Input for full output	Dual phantom	Dual phantom
Connector jacks	4, 8, 16 ohms	4, 8, 16 ohms
Connector jacks	variable adj. cont.	variable adj. cont.
Output impedance	500 ohms	500 ohms
Input level	Variable adj. cont.	variable adj. cont.
Phantom output impedance	Variable adj. cont.	variable adj. cont.
Output tubes balance	Two	Two
Bias Level	160 watts	110 watts
Outlets, A.C.	15½ x 7¼ x 6	15¼ x 7¼ x 5½
Power consumption	4 (6L6GB), 2 (6AN8)	4 (6BQ5A/7189), 2 (6AN8),
Dimensions	1 (5U4)	1 (5U4)
Tube complement		

Additional feature: Socket provision for Pre-amp power tape off, Power on indicator and remote on-off switch.

Model SPA-55 Price \$64.95
Wired and tested **79.95**

Model SPA-35 Price \$49.95
Wired and tested **64.95**

ANOTHER FIRST BY ARKAY!

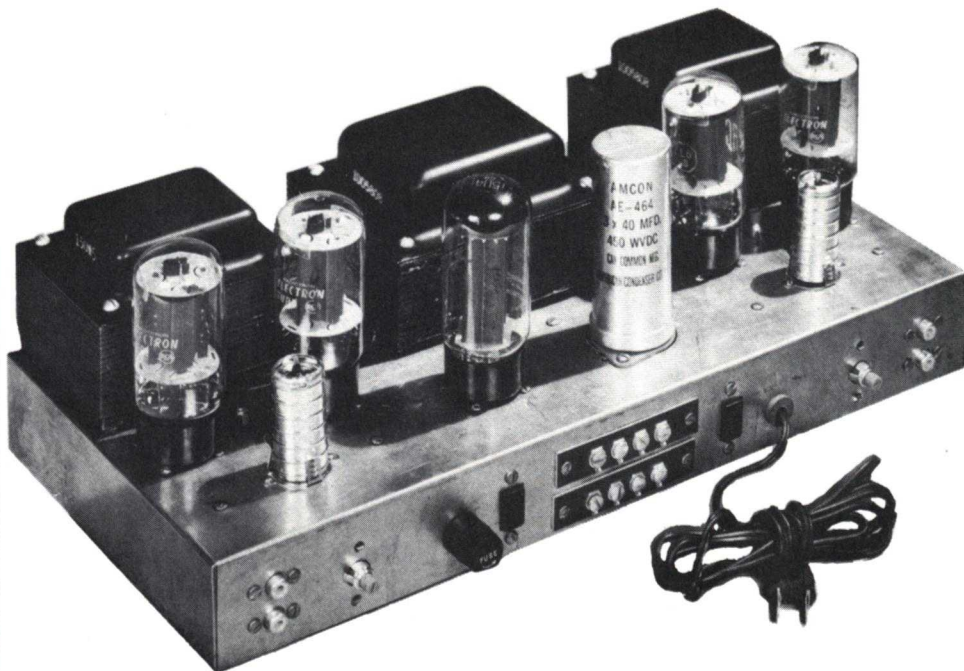
The "Phantom" Third Channel

Now regardless of the size or shape of your Living Room, or the placement of your speakers, your stereo system need not have that "hole in the middle."

In line with ARKAY'S advanced engineering a "phantom" third channel has been incorporated in all the ARKAY SPA series dual-amplifiers. Utilizing the distortion free outputs of both SPA amplifiers, the combined signals are fed into any third power amplifier of comparable quality and thence to your third speaker, thus "plugging the hole" in the middle.

Naturally, stereo-recording provisions are designed into all ARKAY'S SPA dual-amplifiers. The "Phantom" third channel may also be used for monaural (combined channels 1 and 2) recording.

You cannot appreciate stereo until you have heard the ARKAY SPA series dual-amplifiers with the "Phantom" channel. The spatial distribution of sound (plugging that hole in the middle) will truly amaze you.





The Arkay VT-10 6 inch Vacuum Tube Voltmeter

The Arkay VT-10 is an extended range Vacuum Tube Voltmeter of excellent sensitivity and wide range applications. 1% Precision multiplier resistors are used throughout the range switch. A 6 inch edge lighted 400 ua meter movement of within 2% accuracy makes the VT-10 easy and accurate to read. In addition to the other ranges the VT-10 reads RMS (normal AC) and peak to peak voltages. Input impedance is 11 megohms.

DC volts—0 to 3/15/75/150/300/750/1500 Volts
 AC volts—(RMS) 0 to 3/15/75/150/300/750/1500 Volts
 AC volts—(Peak to peak) 0 to 8/40/200/400/800/2000 Volts
 Resistance—0 to 1000/10,000/100,000/1 megohm/10 megohms/100 megohms/1,000 megohms.
 Decibel (odb) 1.73V 500 ohm line —10 db to +18 db, +10 db to +38 db, +30 db to +58 db.
 DC Volts—(Zero Center) 0 to 1.5/7.5/37.5/75/150/375/750 volts.
 Attractively styled and rugged the VT-10 is an instrument of excellent features and outstanding value.

Circuit

12AU7—DC Ranges.
 6AL5—AC Ranges.
 Meter diodes Rectifiers.
 Selenium Rectifier—Transformer Operated.
 Power—105 to 125 volts, 50-60 cycles.
 Power drain—10 watts.
 Meter 6 inch Edge lighted case.

PRICE VT-10 \$25.95
 VT-10W (Wired) \$47.95



The Arkay AV-20 6 inch Audio VTVM—Preamplifier

The Arkay AV-20 is an Audio Vacuum Tube Voltmeter of extreme sensitivity designed for accurate measurements of RMS Voltages. Frequency Response is ± 1 DB 10 CPS to 40 KC. 1% Precision multiplier resistors are used throughout the range switch. A 6 inch edge lighted 200 ua meter movement of within 2% accuracy makes the AV-20 easy and accurate to read. AC measurements of 1 Millivolt to 300 volts in Ten, 10 db steps provide all the sensitivity and voltage range needed in the design of Audio Equipment or for straight AC measurements. DB ranges are from —40 DB to +50 DB. Input Impedance is 1 megohm at 1 KC. The AV-20 has a gain of 75 DB, 5623 times. Input and Output Terminals are provided for using the VTVM as a pre-amplifier. Switching from VTVM to amplifier is easily accomplished by the single control—VTVM—stand by—Ampl. located on the front panel. The range switch of 10 db steps makes for simple and laboratory measurements in the design of Audio Equipment. Attractively styled and rugged, the AV-20 is an instrument of outstanding value.

Circuit

6C4—Low input amplifier.
 12AT7—High input casode amplifier.
 12AT7—Cathode follower Meter Amplifier.
 Crystal diode bridge—Wide band.
 Selenium Rectifier—Transformer Operated.
 Power—105-125 Volts, 50-60 cycles.
 Power drain—11 watts.
 Meter—6 inch 200 ua Edge lighted case.

PRICE AV-20 \$29.95
 AV-20W (Wired) \$49.95



The Arkay AW-30 6 inch Direct Reading Audio Wattmeter

Arkay AW-30 is a direct reading Audio Wattmeter designed for Audio Power Output Measurements. Frequency Response is ± 1 db. from 10 CPS to over 250 KC. 1% Precision multiplier resistors are used throughout the range switch. A 6 inch 200 ua meter movement within 2% accuracy makes the AW-30 easier and more accurate to read. Six power output ranges of 0 to 5 MW, 0 to 50 MW, 0 to 500 MW, 0 to 5W, 0 to 50W, and 0 to 500 Watts. DB ranges —10 db to +40 db. Non inductive load resistors of 4, 8, 16 and 600 ohms of 25 W continuous power rating or 50 watt short time measurements are built in. External resistors or speaker loads up to 500 watts may be measured by switching to external load. Designed for Laboratory or General use the Attractively styled AW-30 is a must in the design of Audio Equipment or Power Monitoring for Speaker Systems.

Circuit

12AU7—Voltage—current amplifier.
 Crystal diode budge—Wide band
 Selenium Rectifier—Transformer Operated.
 Power—105-125 Volts, 50-60 cycles.
 Power drain—7 Watts.
 Meter—6 inch Edge lighted Case.

PRICE AW-30 \$29.95
 AW-30W (Wired) \$49.95



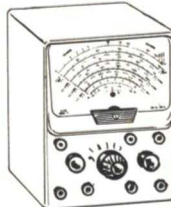
The Arkay CAP-40 6 inch Direct Reading Capacity Meter

Arkay CAP-40 is a completely self powered capacity meter of high accuracy. 1% Precision calibration capacitors and a 6 inch 200 ua meter movement provides instantaneous, easy and accurate capacity readings. A Multivibrator Oscillator of high stability, and voltage regulated power supply makes the CAP-40 a reliable capacity tester of Laboratory quality. Capacity ranges—0 to 50 mmf, 0 to 100 mmf, 0 to 1000 mmf, 0 to .01 mfd, 0 to .1 mfd and 0 to 1 mfd. Designed for Laboratory or General use in measuring Tuning Condenser, Trimmers, mica, ceramic or paper condenser. (Not designed for Electrolytic Condensers). Attractively styled and rugged, the CAP-40 is an instrument of outstanding value.

Circuit

68X7—Multivibrator.
 6X4—Fuel Wave Rectifier
 OA2—Voltage Regulator
 Power—105-125 Volts, 50-60 cycles.
 Power drain—23 Watts.
 Meter—6 inch edge lighted case.

PRICE CAP-40 \$29.95
 CAP-40W (Wired) \$49.95



The Arkay MT-50 6 inch 20,000 ohms per Volt Meter VOM

Arkay MT-50 is a completely portable multimeter of high accuracy. 1% Precision multiplier resistors are used throughout. A large 6 inch 50 ua meter movement accurate within 2% makes the MT-50 easier and more accurate to read. Sensitivity is 20,000 ohms per volt DC and 5000 ohms per volt AC. Measurement ranges—0-1.5, 50, 150, 500, 1500 and 5000 volts AC or DC. Resistance ranges—X1, X100 and X10,000 (0 to 20 megohms). Center scale readings are 15, 150 and 15,000 ohms DC Current ranges—0-150 ua, 15 ma, 150 ma, 500 ma and 15 Amps. DB ranges— —10DB to +65 DB. Designed for Laboratory or General use the attractively styled and rugged MT-50 is an instrument of outstanding value.

ALL METER KITS
 AVAILABLE AFTER
 SEPTEMBER 1, 1958

PRICE MT-50 \$29.50
 MT-50W (Wired) \$42.95

DISTRIBUTED BY

arkay

88-06 VAN WYCK EXPRESSWAY
 RICHMOND HILL 18, QUEENS
 NEW YORK

COFFMAN TELEVISION SALES
 YOUR - TV - BARGAIN CENTER
 6609 - Hillcrest Ave.
 ALSO_OPEN NIGHTS 8:00 TO 9:30 PM
 LO-7173

FORM 3547

If You Didn't Get This From My Site,
 Then It Was Stolen From...

www.SteamPoweredRadio.Com